



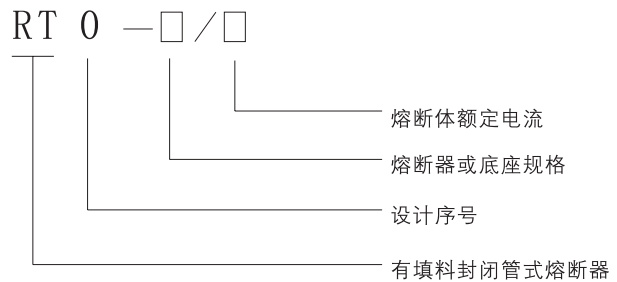
■ 概述 Summary

RT0 系列刀型触头熔断器其额定电压至交流380V，额定电流至600A，主要作为工业企业及电厂等低压配电系统或其它类似工作条件下的短路及电缆过载保护。

Series RT0 fuses with blade contacts are mainly used in distribution net of rate voltage up to 380V a. c. and rated current up to 600A for the protection of line and cables against all damages from fault currents between overload and rated breaking capacity. This series fuses achieve full exchange ability with similar fuses on domestic and international markets.



■ 型号及其含义 Model denomination

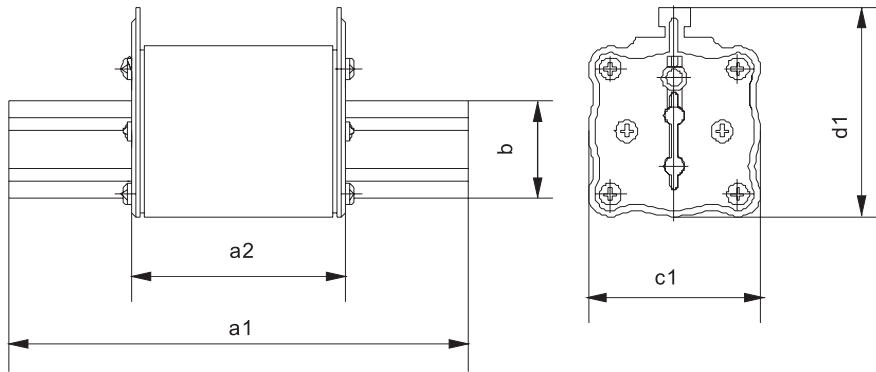


■ 主要技术指标 Technical data

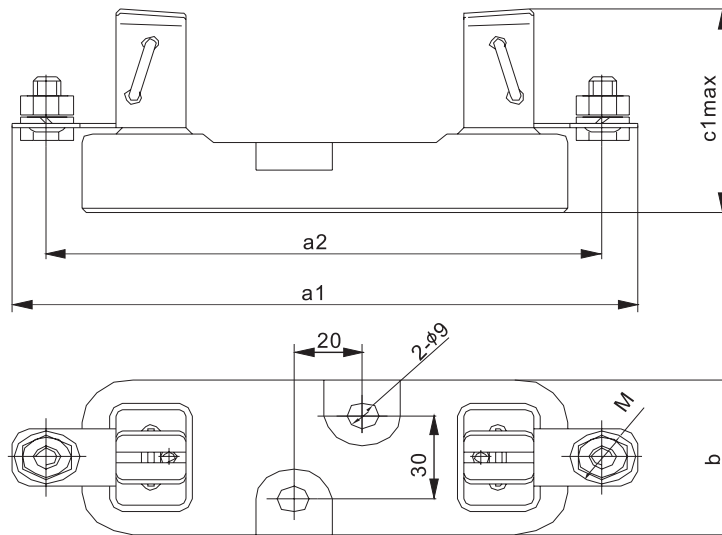
产品标准	Product standard	GB13539
额定电压	Rated voltage (V)	AC380
分断范围和使用类别	Breaking range and utilization category	gG
额定绝缘电压	Rated insulating voltage (V)	AC380
额定分断能力	Rated breaking capacity (kA)	50

熔断体 Fuse-link

规格 Size	熔断体额定电流 Rated current(A)	熔断器底座额定电流
100	50,60,100	100
200	100,150,200	200
400	250,300,400	400
600	500,600	600

外形及安装尺寸 Overall dimensions


熔断体规格	a1	a2	b	c1	d1
100	124	67	18	40	52
200	134	67	23	46	58
400	144	67	30	55	67
600	164	67	36	66	78



底座规格	a1	a2	b	c1	M
100	180	160	55	73	8
200	200	175	60	85	10
400	215	185	70	95	12
600	255	215	80	118	16

时间-电流特性符合 GB13539.2标准中的规定。